

---

# FAN-ASSISTED DISTRIBUTOR HEADS

---



---

Use and maintenance manual

---

ENGLISH

**READ AND KEEP**



Thank you for choosing the PEGO EASYSTEAM fan-assisted distributor head.

Please read this manual thoroughly: doing so will allow you to carry out correct installation of the unit and use it properly.

It is therefore advisable to store the manual near the fan-assisted distributor head installation point.

How to read this manual:

To simplify and aid comprehension the text is accompanied by the following symbols:



Indicates a section of text that must be read carefully.



Indicates tasks that need to be carried out with the utmost care and attention so as to prevent damage to the distributor head, injury or malfunctions.



Indicates an action that is forbidden and which could cause damage to the distributor head, injury or malfunctions.



Indicates a useful tip.




Indicates that the PEGO - HUMIDIFIER DIVISION assistance centre (contact details on back of this handbook) should be contacted.

### Instructions for disposal:

The humidifier is made up of metal parts and plastic parts. In reference to European Union directive 2012/19/EC issued on 4 July 2012 and the related national legislation, please note that:

- A. WEEE cannot be disposed of as municipal waste and such waste must be collected and disposed of separately.
- B. The public or private waste collection systems defined by local legislation must be used. In addition, the equipment can be returned to the distributor at the end of its working life when buying new equipment.
- C. The equipment may contain hazardous substances: the improper use or incorrect disposal of such may have negative effects on human health and on the environment.



- D. The symbol  (crossed-out wheeled bin) shown on the product and on the user manual indicates that the equipment has been introduced onto the market after 13 August 2005 and that it must be disposed of separately.
- E. In the event of illegal disposal of electrical and electronic waste, the penalties are specified by local waste disposal legislation.

## CONTENTS

### INTRODUCTION

**CHAP. 1**

Page 5	1.1	General
Page 5	1.2	Warranty terms and conditions
Page 5	1.3	Operating principle
Page 6	1.4	Fan assisted head id codes
Page 6	1.5	Technical data
Page 6	1.6	Overall dimensions
Page 7	1.7	Identification data
Page 7	1.8	Standard equipment

### INSTALLATION

**CHAP. 2**

Page 8	2.1	General installation information
Page 9	2.2	Standard installation
Page 11	2.3	Remote installation
Page 11	2.4	Electrical connection

### SWITCHING

**CHAP. 3**

Page 12	3.1	First switching on
---------	-----	--------------------

### TROUBLESHOOTING

**CHAP. 4**

Page 12	4.1	Troubleshooting
---------	-----	-----------------

### APPENDICES

**CHAP. 5**

Page 13	5.1	EU declaration of conformity
Page 14	5.2	Exploded diagram

## CHAP. 1 INTRODUCTION

### 1.1

#### GENERAL

The Pego Easystem fan-assisted distributor head has been designed to allow direct humidification of indoor environments without the need for air ducts or evaporators; ventilation can be achieved by fitting the head directly on the humidifier or placing it in a 'remote', wall-mounted position.

### 1.2

#### WARRANTY TERMS AND CONDITIONS

Accessories of the **EASYSTEAM** product line are covered by a 24-months warranty against all manufacturing defects as from the date indicated on the product ID code. Malfunction caused by tampering, bumps, inadequate installation or use with equipment not belonging to the **EASYSTEAM** line, automatically declines the warranty. It is compulsory to observe all the instructions in this manual and the operating conditions of the product.



Any modifications made to wiring and/or to internal components carried out in a way that fails to comply with the information/instructions in this manual shall not only declines the warranty but may also lead to malfunctions, irreparable damage, serious injury, or cause situations of serious danger to people or things.

**Pego S.r.l.** disclaims any liability for possible inaccuracies contained in this manual if due to errors in printing or transcription.

**Pego S.r.l.** reserves the right to make changes to its products which it deems necessary or useful without affecting its essential characteristics.

Each new release of the Pego product user manual replaces all the previous ones.

### 1.3

#### OPERATING PRINCIPLE

EASYSTEAM fan-assisted distributors mix the steam produced by the humidifiers with an airflow generated by a cross-flow fan; this mixture is then introduced into the indoor environment at a speed and rate proportional to the size of the humidifier, thus ensuring an optimal ratio of humidification / efficiency loss caused by the condensation effect.

Ventilation occurs simultaneously with steam production; the shape of the head ensures that the temperature of the outgoing air is less than 50°C and the grill pattern prevents direct introduction of condensation water droplets into the environment.

**1.4 FAN-ASSISTED HEAD ID CODES**

**400UMFAN100**

Fan-assisted head for Pego easystem humidifiers:  
ES3-M, ES6: one, on board or remote.

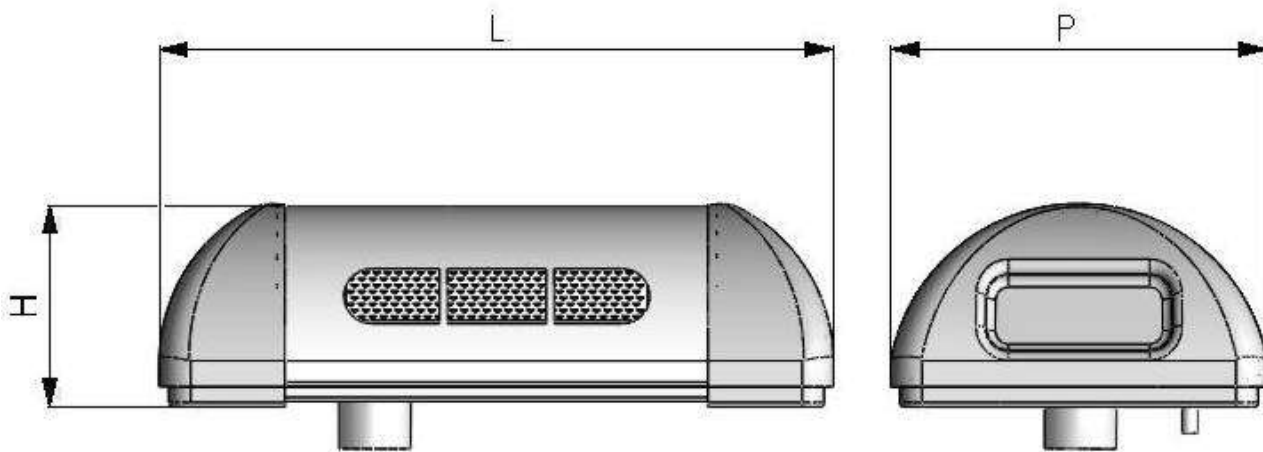
**400UMFAN150**

Fan-assisted head for Pego easystem humidifiers  
ES12, ES24: one, on board or remote.  
ES48: two, remote.  
ES100: four, remote.

**1.5 TECHNICAL DATA**

TECHNICAL DATA	400UMFAN100	400UMFAN150
STEAM VENTILATION CAPACITY (in Kg/h)	Max 6	Max 24
POWER SUPPLY	230V 50/60Hz	230V 50/60Hz
POWER (kW)	0.20	0.28
CONTROL TYPE	EASYSTEAM	
STEAM INLET DIAMETER (mm)	40	40
CONDENSATE DISCHARGE OUTLET DIAMETER (mm)	10	10
AIRFLOW RATE	100m <sup>3</sup> /h	150m <sup>3</sup> /h

**1.6 OVERALL DIMENSIONS**



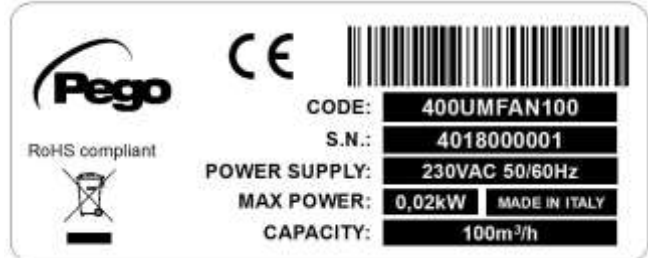
MODEL	L	P	H
<b>400UMFAN100</b>	430 mm	240 mm	130 mm
<b>400UMFAN150</b>	430 mm	240 mm	130 mm

## 1.7

## IDENTIFICATION DATA

The unit described in this manual has, on its side, an ID plate showing all the relevant identification data:

- Name of Manufacturer
- Code of appliance
- Serial number
- Power supply voltage
- Air capacity



## 1.8

## STANDARD EQUIPMENT

EASYSTEAM fan-assisted distributor heads come complete, for purposes of assembly and use, with:

- N° 1 connector with an external diameter of 40mm, for steam inlet.
- N° 1 connector with an external diameter of 10mm, for condensate discharge.
- N° 1 head/humidifier connection hose.
- N° 1 humidifier cylinder connection flange.
- N° 1 condensation discharge pipe.
- N° 3 steam and condensate discharge connection seal clips.
- N° 1 user's manual.
- N° 1 wall bracket (OPTIONAL).

**CHAP. 2 INSTALLATION****2.1****GENERAL INSTALLATION INFORMATION**

1. Install the device as close as possible to the area where the steam is to be distributed (i.e. in a position with as short a steam hose as possible). Do not exceed a distance of 5 metres.
2. Install the unit with Pego Easystem humidifiers only.
3. Install the unit so it is level in both the transverse and longitudinal planes.
4. In the event of remote (wall-mounted) installation, make sure no water traps or kinks are created on the steam inlet hose.
5. In the event of remote (wall-mounted) installation make sure the condensate recovery pipe is not kinked.
6. When installing the device make sure the airflow is not directed at electronic equipment or other equipment sensitive to high humidity.



## 2.2

### INSTALLATION OF THE DISTRIBUTOR HEAD, ON BOARD OF AN HUMIDIFIER ES3-M, ES6, ES12, ES24

1. Remove the fan-assisted distributor head from the packaging, keeping the device vertical. Remove the protective nylon bag and check that the device is in good condition.
2. Replace the humidifier steam outlet flange (diameter 25mm) with the supplied flange (Fig. 1) (diameter 40mm) (not necessary for ES24 humidifiers).

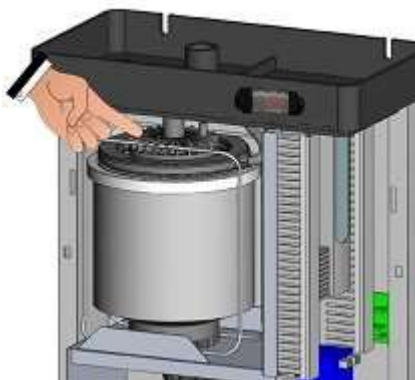


Fig. 1

3. Check that the humidifier is level both transversely and longitudinally; correct any tilt.
4. Connect the steam hose to the inlet (diameter 40 mm) (Fig.2) of the head and the condensate discharge hose to the outlet (with diameter 10) (Fig.3).

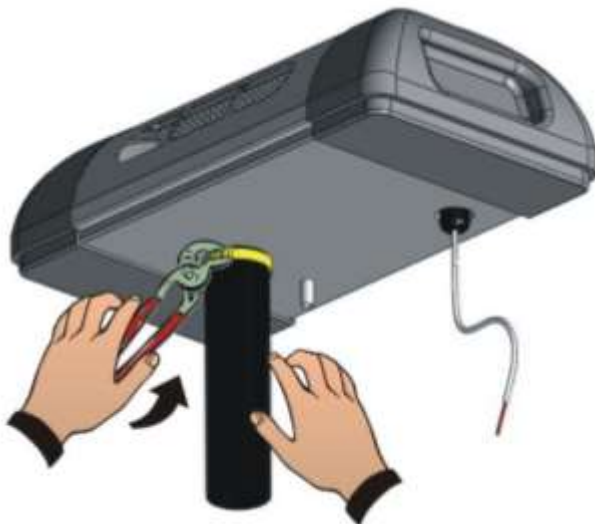


Fig.2



Fig.3

5. Fit the fan-assisted distributor head on the humidifier, positioning it on the upper part of the latter; no screws are required, just press-lock it into place. (Fig. 4)



Fig. 4

6. Connect the steam hose to the humidifier flange. (Fig. 5)

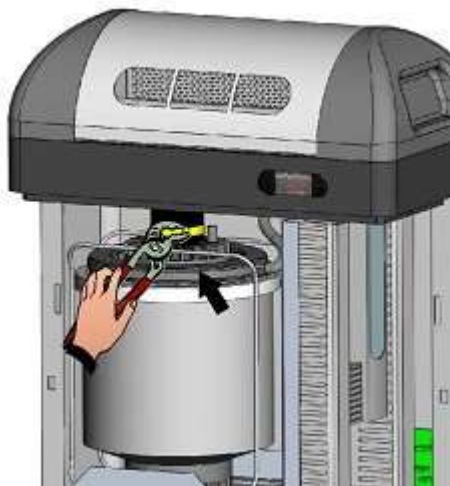


Fig. 5

7. Make sure that the condensate drain pipe is directed towards the humidifier drain.
8. Pass the fan-assisted power distributor head lead through the passage of cable that connects the NANO EasySteam with the Master HUM2.

## 2.3

### REMOTE INSTALLATION OF THE DISTRIBUTOR HEAD (VALID FOR ALL MODELS OF HUMIDIFIER)

1. Remove the fan-assisted distributor head from the packaging, keeping the device vertical. Remove the protective nylon bag and check that the device is in good condition.
2. Replace the humidifier steam outlet flange (diameter 25) with the supplied flange (Fig.1) (diameter 40) (not necessary for ES24, ES48 and ES100 humidifiers).

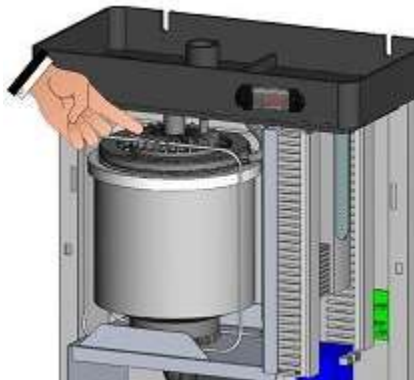


Fig.1

3. Fix the support bracket to the wall: make sure it is level both transversely and longitudinally (one for each distributor head). (Fig.6)

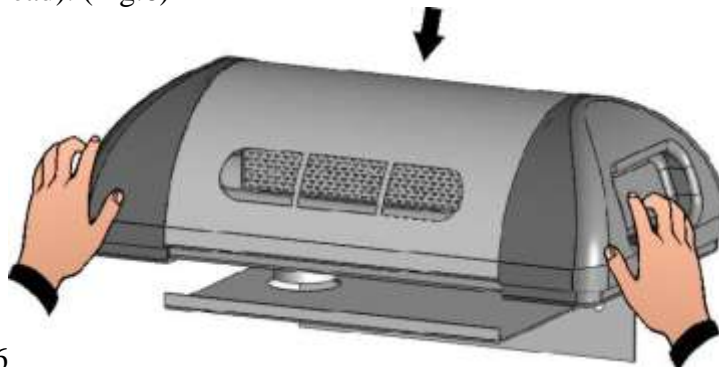


Fig.6

4. Connect the steam hose to the inlet (diameter 40) (Fig.2) of the head (one for each distributor head) and the condensate discharge hose to the outlet (with diameter 10) (one for each distributor head) (Fig.3)
5. Connect the steam hose to the humidifier flange (one for each cylinder).
6. Make sure the condensate discharge hose is directed towards the humidifier discharge or a ground-level drainage point (one for each distributor head-cylinder pair).
7. Pass the fan-assisted power distributor head power lead (one for each distributor head) through the passage of cable that connects the NANO EasySteam with the Master HUM2.

## 2.4

### ELECTRICAL CONNECTION

Connect the lead to terminals **62** and **63** on the humidifier terminal block.

## CHAP. 3 SWITCHING

### 3.1


#### FIRST SWITCHING ON

At this point the fan-assisted distributor head is ready for use and is fully autonomous. When the humidifier receives consensus for steam production, the head starts to generate the airflow with the requested quantity of steam.

## CHAP. 4 TROUBLESHOOTING

### 4.1

#### TROUBLESHOOTING

FAULT	CAUSE	ACTION TO BE TAKEN
The humidifier generates steam but the head does not produce an outflow	Cross-flow fan stopped	Check for proper connection and power supply
The humidifier generates steam but the head does not produce an outflow	Cross-flow fan stopped despite proper power supply	Check that cross-flow fan is working properly
The head sprays drops of condensate outwards into the room	Head not levelled properly	Check for level installation
The head sprays drops of condensate outwards into the room	Rear intake obstructed	Clean intake
	Should you encounter any other faults not listed in the table please contact the PEGO - HUMIDIFIER DIVISION assistance centre	

## CHAP. 5 APPENDICES

### 5.1

### EU DECLARATION OF CONFORMITY

LA PRESENTE DICHIARAZIONE DI CONFORMITA' E' RILASCIATA SOTTO LA RESPONSABILITA' ESCLUSIVA DEL FABBRICANTE:  
THIS DECLARATION OF CONFORMITY IS ISSUED UNDER THE EXCLUSIVE RESPONSIBILITY OF THE MANUFACTURER:



PEGO S.r.l. Unipersonale Via Piacentina 6/b, 45030 Occhiobello (RO) – Italy –

#### DENOMINAZIONE DEL PRODOTTO IN OGGETTO / DENOMINATION OF THE PRODUCT IN OBJECT

- 400UMFAN100
- 400UMFAN150

IL PRODOTTO DI CUI SOPRA E' CONFORME ALLA PERTINENTE NORMATIVA DI ARMONIZZAZIONE DELL'UNIONE EUROPEA:  
THE PRODUCT IS IN CONFORMITY WITH THE RELEVANT EUROPEAN HARMONIZATION LEGISLATION:

Direttiva Bassa Tensione (LVD):	<b>2014/35/UE</b>
Low voltage directive (LVD):	<b>2014/35/EU</b>
Direttiva EMC:	<b>2014/30/UE</b>
Electromagnetic compatibility (EMC):	<b>2014/30/EU</b>

LA CONFORMITA' PRESCRITTA DALLA DIRETTIVA E' GARANTITA DALL'ADEMPIMENTO A TUTTI GLI EFFETTI DELLE SEGUENTI NORME:  
THE CONFORMITY REQUIRED BY THE DIRECTIVE IS GUARANTEED BY THE FULFILLMENT TO THE FOLLOWING STANDARDS:

Norme armonizzate:	<b>EN 60335-1:2012, EN 61000-6-1:2007, EN 61000-6-3:2007</b>
European standards:	<b>EN 60335-1:2012, EN 61000-6-1:2007, EN 61000-6-3:2007</b>

IL PRODOTTO E' COSTITUITO PER ESSERE INCORPORATO IN UNA MACCHINA O PER ESSERE ASSEMBLATO CON ALTRI MACCHINARI PER COSTITUIRE UNA MACCHINA CONSIDERATE DALLA DIRETTIVA: 2006/42/CE "Direttiva Macchine".

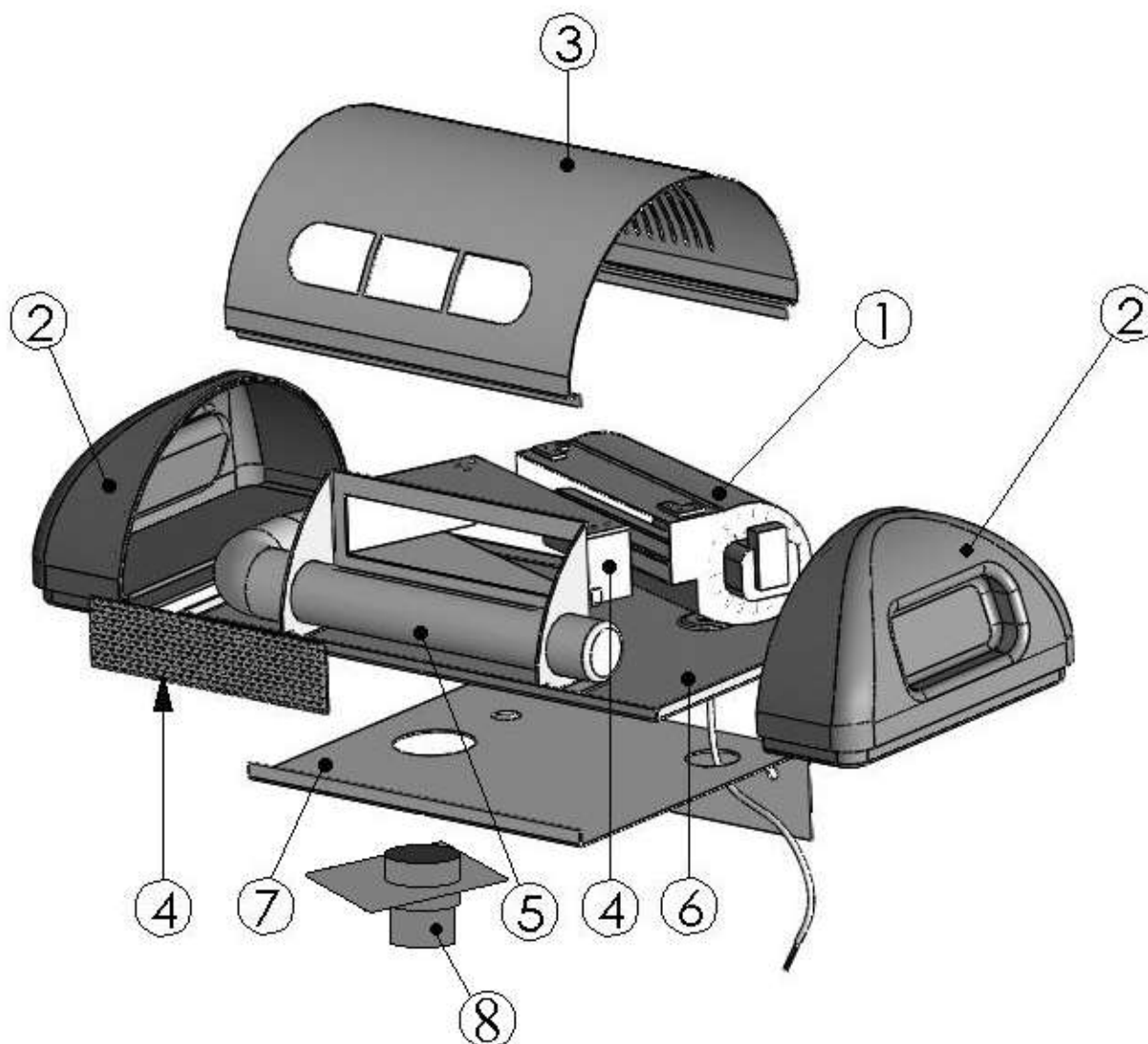
THE PRODUCT HAS BEEN MANUFACTURED TO BE INCLUDED IN A MACHINE OR TO BE ASSEMBLED TOGETHER WITH OTHER MACHINERY TO COMPLETE A MACHINE ACCORDING TO DIRECTIVE: EC/2006/42 "Machinery Directive".

Firmato per nome e per conto di:  
Signed for and on behalf of:

**Pego S.r.l.**  
**Martino Villa**  
**Presidente**

Luogo e Data del rilascio:  
Place and Date of Release:

Occhiobello (RO), 01/01/2020



Ref.	Code	Description
1		Cross-flow fan 230V, 100/150m <sup>3</sup>
2		Side heads in ABS
3		Stainless steel cover
4		Internal fixing partitions
5		Distributor lance DN 40
6		Condensate containment / collection tank
7	UMISRTV	Separate installation support bracket (optional)
8		Connection for the steam hose





**PEGO s.r.l.**  
**Via Piacentina, 6/b 45030 Occhiobello ROVIGO – ITALY**  
**Tel. +39 0425 762906 Fax +39 0425 762905**  
**e-mail: info@pego.it – www.pego.it**



**AFTER-SALES ASSISTANCE SERVICE**  
**Tel. +39 0425 762906 e-mail: tecnico@pego.it**

Distributor: